



# Fire Safety Equipment

**UK PRODUCT CATALOGUE**

ISSUE 1

# Contents

|  |       |
|--|-------|
| Introduction to GFE UK                     | 4-5   |
| <b>Analogue Addressable Range</b>          |       |
| CHAMELEON Range                            | 6-7   |
| G-ONE Panel                                | 8-9   |
| GEKKO Panel                                | 10-11 |
| OCTO+ Panel                                | 12-13 |
| CHAMELEON Repeater                         | 14-15 |
| OWL  | 16-17 |
| ZEOS-AD Detectors                          | 18-19 |
| MCPE-A Manual Call Points                  | 20-21 |
| Audio/Visual - VULCAN2-A & VALKYRIE-A      | 22-23 |
| Interfaces                                 | 24-26 |
| Software                                   | 27    |
| CHAMELEON Network Diagram                  | 28-29 |
| <b>Conventional Range</b>                  |       |
| ORION                                      | 30-31 |
| ZEOS-C Detectors                           | 32-33 |
| MCPE-C Manual Call Points Remote Indicator | 34-35 |
| Audio/ Visual - VULCAN2-C & VALKYRIE-C     | 36-37 |
| Power Supply Units                         | 38-39 |
| <b>Useful Information</b>                  |       |
| Authorised Distributor Network             | 40    |
| System Installation Partners               | 41    |
| Notes                                      | 42-43 |



## Built on Innovation

GFE (UK) Fire Ltd, trading as Global Fire Equipment UK, was established in January 2021.


Gaining full backing from Global Fire Equipment's headquarters in Portugal, our company was set up to become the sole importer of all Global Fire Equipment products into the UK fire safety sector. GFE UK aims to provide innovative solutions with the goal of being seen as the system provider of choice.

The UK's fire safety market is one of diverse and ever-changing requirements. We have set our sights on growing the GFE UK brand through the promotion of GFE's evolving product portfolio, and through the excellent relationships we have established with a select group of direct customers.

We are committed to delivering the highest standards of customer service and support.

Working with our authorised key distributors, system installation partners and end users, we provide and deliver high quality and competitively priced systems and solutions to our UK customers.

Keep up to date with GFE UK by following us on:

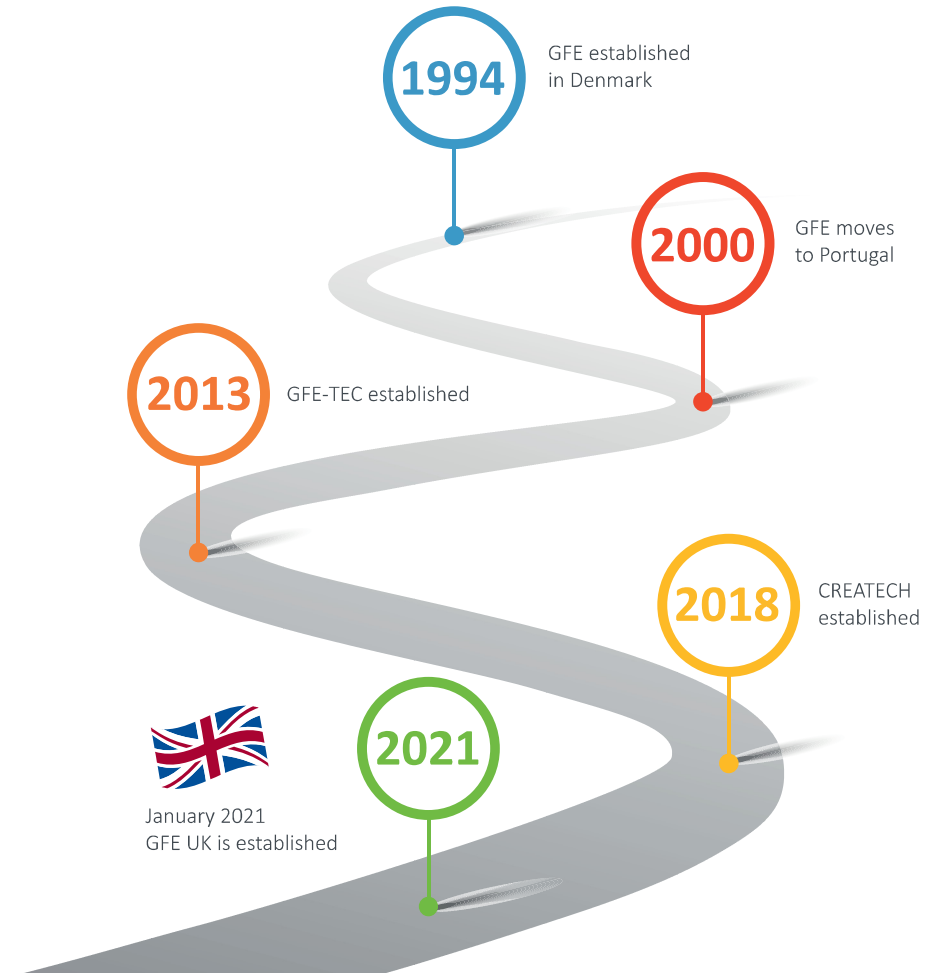
 Global Fire Equipment UK - Official

 @globalfireuk

 /Global Fire Equipment-UK



## A 'Global' Journey



## CHAMELEON

### Analogue Addressable Panels

The CHAMELEON range is the next generation of analogue addressable control panels.

The high resolution, high contrast backlit blue graphical LCD display provides a clear and effective user interface which can accommodate any type of custom characters or graphical symbols, allowing multiple language support as well as pictorial and customisable elements.

Designed with high quality and flexibility in mind, the CHAMELEON range combines sophisticated design and powerful features with easy installation, making it an ideal and cost-effective solution for a wide range of applications.

A distributed intelligence network provides a high level of security and resilience, especially when redundancy and backup measures are required.

A unique, installer-friendly and dynamic, automatic self-learn facility bypasses the traditional manually initiated auto-learn process.

The CHAMELEON range of panels has a 'multi-master' approach which means that each independent panel on a network is aware of all system network events, and all panels within the network share the cause and effects as a global system. This works alongside GFE's unique, highly intelligible broadcast feature which will send local configuration to the network, ensuring a high level of redundancy. In simple terms, as long as you have broadcasted the correct and up-to-date configuration across the network, if a panel's main PCB or loop card fails, you can replace it and broadcast from another working panel on the network, and you can get the configuration back at that local panel at the click of a button.

Global Fire Equipment has ensured backward compatibility with its older generation of devices when developing new products.



EN54-2 and EN54-4  
1328-CPR-0811

## G-ONE

### Single Loop Fire Alarm Control Panel (non-expandable)

The G-ONE is a versatile and compact, single loop analogue addressable fire alarm control panel which can be surface or flush mounted.

Designed with affordability and flexibility in mind, the G-ONE combines sophisticated design with easy installation and intuitive commissioning whilst offering a cost-effective solution for smaller and standalone installations.

With the addition of a network card, the G-ONE panel offers advanced CHAMELEON peer-to-peer multi-master network communication and is capable of being networked with up to 32 control panels from the GFE range.

Each network control panel has its own internal configuration which is backed up along with the entire network configuration, providing the highest level of network security and resilience required for distributed fire detection and alarm systems.

A unique and user-friendly dynamic, automatic self-learn facility bypasses the traditional manually initiated auto-learn process.



EN54-2 and EN54-4  
1328-CPR-0811

#### Key Features:

- ✓ Only available as a single loop panel
- ✓ 16 fire zone LEDs
- ✓ 188 addressable devices per loop with a 125 address limit (max. 250 devices)
- ✓ 900mA per loop
- ✓ Supports GFE and ZEOS protocols
- ✓ When panel is powered on in installation mode, no 'auto-learn' is required at commissioning stage as it will learn all devices within 90 seconds
- ✓ Peer-to-peer network of up to 32 CHAMELEON control panels
- ✓ RS422/Fibre-Optic options for networking communication
- ✓ USB (Type B) port for PC communication
- ✓ 2 conventional sounder circuits
- ✓ 2 fire output relays (changeover) and 1 fault relay (NC)
- ✓ 512 fully programmable alarm (sounder) groups
- ✓ 512 I/O groups
- ✓ 10,000 event memory
- ✓ High resolution, high contrast backlit blue LCD display
- ✓ Each panel backs up the configuration of the entire network

#### Technical Specifications:

|                                |  |
|--------------------------------|--|
| Mains Supply                   | 90V AC to 230V AC 50/60 Hz (+10%, -15% tolerance)                                  |
| Primary DC Supply              | 28.5V DC @ 2.4A (max)  |
| Secondary Supply               | 21.6V DC (min) to 27.2V DC (max) - battery charger: 27.5V DC                       |
| Battery Capacity               | 2 x 12V 7Ah (internally)   |
| Quiescent Current              | 52mA   |
| Alarm Current                  | 91mA   |
| Aux. Power Output              | 2 x 24V DC 300mA / 1 x 24V switched output   |
| Loop Output Current (per loop) | 900mA alarm peak/165mA quiescent   |
| Conventional Sounder Circuits  | 2 x 250mA Max current drive - Fully monitored                                      |
| Aux. Relays (Fire)             | 2 x rated 2A @ 30V DC resistive/0.5A @ 120V AC resistive/0.25A @ 240V AC resistive |
| Aux. Relays (Fault)            | 1 rated 2A @ 30V DC resistive/0.5A @ 120V AC resistive/0.25A @ 240V AC resistive   |
| Operating Temperature          | -10°C to 50°C  |
| Humidity                       | Max. 85% RH Non-Condensing   |
| Ingress Protection             | Surface Mount: IP30, Recessed Mount: IP65  |
| Dimensions                     | 273mm (L) x 404mm (H) x 107mm (W)  |
| Weight                         | 1.6Kg (no batteries)   |
| Enclosure Colour               | White (RAL 9003) / Anthracite (RAL7016)  |

| GFE Order Code | Part No. | Description                                 |
|----------------|----------|---|
| G-ONE          | G-ONE    | G-ONE 1 Loop Control Panel - Non Expandable |

## GEKKO

### 0 & 2 Loop Fire Alarm Control Panel

The GEKKO is the successor to the JUNIOR V4 panel.

It is a versatile and compact analogue addressable fire alarm control panel which is expandable from 0 to 2 loops and can be surface or flush mounted.

Powerful cause and effect programming capabilities along with enhanced system diagnostics performance make the GEKKO panel suitable for a wide range of applications, from small to large buildings or sites with multiple complex areas.

With the addition of a network card, the panel offers advanced CHAMELEON peer-to-peer multi-master network communication and is capable of being networked with up to 32 control panels from the GFE range.

Each network control panel has its own internal configuration which is backed up along with the entire network configuration, providing the highest level of network security and resilience required for distributed fire detection and alarm systems.

A unique and user-friendly dynamic, automatic self-learn facility bypasses the traditional manually initiated auto-learn process.



#### Key Features:

- ✓ Expandable to 2 loops
- ✓ 16 fire zone LEDs
- ✓ 188 addressable devices per loop with a 125 address limit (max. 250 devices)
- ✓ 900mA per loop
- ✓ Supports GFE and ZEOS protocols
- ✓ No 'auto-learn' required at commissioning stage. The panels automatically detect and recognise addressed and connected devices
- ✓ Peer-to-peer network of up to 32 CHAMELEON control panels
- ✓ RS422/Fibre-optic options for networking communication
- ✓ USB (Type B) port for PC communication
- ✓ 2 conventional sounder circuits
- ✓ 2 fire output relays (changeover) and 1 fault relay (NC)
- ✓ 512 fully programmable alarm (sounder) groups
- ✓ 512 I/O groups
- ✓ 10,000 event memory
- ✓ High resolution, high contrast backlit blue LCD display
- ✓ Each panel backs up the configuration of the entire network

#### Technical Specifications:

|                                | GEKKO-0  | GEKKO-2 |
|--------------------------------|--|---------|
| Mains Supply                   | 90V AC to 230V AC 50/60 Hz (+10%, -15% tolerance)                                |         |
| Primary DC Supply              | 28.5V DC @ 2.4A (max)  |         |
| Secondary Supply               | 21.6V DC (min) to 27.2V DC (max) - Battery Charger: 27.5V DC                     |         |
| Battery Capacity               | 2 x 12V 7Ah (internally)   |         |
| Quiescent Current              | 52mA   | 55mA    |
| Alarm Current                  | 92mA   | 96mA    |
| Aux. Power Output              | 2 x 24V DC 300mA/1 x 24V switched output   |         |
| Loop Output Current (per loop) | 900mA alarm peak/165mA quiescent   |         |
| Conventional Sounder Circuits  | 2 x 250mA Max current drive - Fully monitored                                    |         |
| Aux. Relays (Fire)             | 2 x rated 2A @ 30V DC resistive/0.25A @ 240V AC resistive                        |         |
| Aux. Relays (Fault)            | 1 rated 2A @ 30V DC resistive/0.5A @ 120V AC resistive/0.25A @ 240V AC resistive |         |
| Operating Temperature          | -10°C to 50°C  |         |
| Humidity                       | Max. 85% RH Non-Condensing   |         |
| Ingress Protection             | Surface Mount: IP30/Recessed Mount: IP65   |         |
| Dimensions                     | 273mm (L) x 404mm (H) x 107mm (W)  |         |
| Weight                         | 1.6Kg (no batteries)   |         |
| Enclosure Colour               | White (RAL 9003)/Anthracite (RAL7016)  |         |

#### GFE Order Code Part No. Description

|         |                |                            |
|---------|----------------|----------------------------|
| GEKKO-0 | GEKKO - 0 LOOP | GEKKO 0 Loop Control Panel |
| GEKKO-2 | GEKKO - 2 LOOP | GEKKO 2 Loop Control Panel |



EN54-2 and EN54-4  
1328-CPR-0811

## OCTO+

### 2-4 Loop Fire Alarm Control Panel

The OCTO+ is a versatile and compact analogue addressable fire alarm control panel, available in 2-4 loops, which can be surface or flush mounted.

Powerful cause and effect programming capabilities along with enhanced system diagnostics performance make the OCTO+ panel suitable for a wide range of applications, from small to large buildings or sites with multiple complex areas.

With the addition of a network card, the panel offers advanced CHAMELEON peer-to-peer multi-master network communication and is capable of being networked with up to 32 control panels from the GFE range.

Each network control panel has its own internal configuration which is backed up along with the entire network configuration, providing the highest level of network security and resilience required for distributed fire detection and alarm systems.

A unique and user-friendly dynamic, automatic self-learn facility bypasses the traditional manually initiated auto-learn process.



#### Key Features:

- ✓ Available as a 2- 4 loop panel
- ✓ 16 fire zone LEDs
- ✓ 188 addressable devices per loop with a 125 address limit (max. 250 devices)
- ✓ 900mA per loop
- ✓ Supports GFE and ZEOS protocols
- ✓ No 'auto-learn' required at commissioning stage. The panels automatically detect and recognise addressed and connected devices
- ✓ Peer-to-peer network of up to 32 CHAMELEON control panels
- ✓ RS422/Fibre-optic options for networking communication
- ✓ USB (Type B) port for PC communication
- ✓ 2 conventional sounder circuits
- ✓ 2 fire output relays (changeover) and 1 fault relay (NC)
- ✓ 512 fully programmable alarm (sounder) groups
- ✓ 512 I/O groups
- ✓ 10,000 event memory
- ✓ High resolution, high contrast backlit blue LCD display
- ✓ Each panel backs up the configuration of the entire network
- ✓ Optional internal printer

#### Technical Specifications:

|                                | OCTO-2   | OCTO-4 |
|--------------------------------|--|--------|
| Mains Supply                   | 90V AC to 230V AC 50/60 Hz (+10%, -15% tolerance)                                  |        |
| Primary DC Supply              | 28.5V DC @ 2.4A (max)  |        |
| Secondary Supply               | 21.6V DC (min) to 27.2V DC (max) - Battery Charger: 27.5V DC                       |        |
| Battery Capacity               | 2 x 12V 12Ah (internally)  |        |
| Quiescent Current              | 68   | 73mA   |
| Alarm Current                  | 117  | 127mA  |
| Aux. Power Output              | 2 x 24V DC 300mA/1 x 24V switched output   |        |
| Loop Output Current (per loop) | 900mA alarm peak/165mA quiescent   |        |
| Conventional Sounder Circuits  | 2 x 250mA Max current drive - Fully monitored                                      |        |
| Aux. Relays (Fire)             | 2 x rated 2A @ 30V DC resistive/0.5A @ 120V AC resistive/0.25A @ 240V AC resistive |        |
| Aux. Relays (Fault)            | 1 rated 2A @ 30V DC resistive/0.5A @ 120V AC resistive/0.25A @ 240V AC resistive   |        |
| Operating Temperature          | -10°C to 50°C  |        |
| Humidity                       | Max. 85% RH Non-condensing   |        |
| Ingress Protection             | Surface Mount: IP30  |        |
| Dimensions                     | 345 (L) x 375 (H) x 139 (W) mm   |        |
| Weight                         | 7.5Kg (no batteries)   |        |
| Enclosure Colour               | White (RAL 9003)   |        |

| GFE Order Code | Part No.        | Description |
|----------------|-----------------|-------------|
| OCTO-2         | OCTO + / 2 LOOP | OCTO 2      |
| OCTO-4         | OCTO + / 4 LOOP | OCTO 4      |



EN54-2 and EN54-4  
1328-CPR-0811

## CHAMELEON Repeater

### Full Control Repeater

The CHAMELEON repeater, although a compact design, functions in the same way as a control panel but without the loops and backup batteries.

The CHAMELEON network operates as a true peer-to-peer system of up to 32 control panels.

The repeater has a built-in network card and occupies a network address. It can be wired as fault-tolerant (recommended) or standard network topology.



#### Technical Specifications:

|                       |   |
|-----------------------|---|
| Primary Supply        | 28.5V DC nominal (max)                    |
| Quiescent Current     | 65mA / 22mA                               |
| Alarm Current         | 26mA                                      |
| Operating Temperature | -10°C to 50°C                             |
| Humidity              | Max. 85% RH Non-Condensing                |
| Ingress Protection    | Surface Mount: IP30, Recessed Mount: IP65 |
| Dimensions            | 256mm (L) x 194mm (H) x 75mm (W)          |
| Weight                | 760g                                      |
| Enclosure Colour      | White (RAL 9003)                          |

| GFE Order Code | Part No.                              | Description                |
|----------------|---------------------------------------|----------------------------|
| CHAMELEON-REP  | CHAMELEON MINI REP<br>INT RS422 P2P-D | CHAMELEON Control Repeater |

## Peripherals

A range of peripherals are available for the CHAMELEON range of panels.

#### Network Cards

- ✓ Allows the interconnection of up to 32 CHAMELEON network control panels
- ✓ One required per control panel (CHAMELEON repeaters include this as standard)
- ✓ Max. cable length between control panels = 1.2km
- ✓ Max. cable length across network = 1.2km (RS422)/4.5km (Fibre-optic)

| GFE Order Code | Part No.        | Description                                |
|----------------|-----------------|--|
| GFE-NETCARD-D  | INT RS422 P2P-D | CHAMELEON RS422 Network Communication Card |

#### OCTO+ Internal Printer

##### Technical Specifications:

|                       |                                  |
|-----------------------|----------------------------------|
| Primary Supply        | 20 - 30V DC                      |
| Supply Current        | 43mA (standby)/500mA (printing)  |
| Operating Temperature | 0°C to 50°C                      |
| Dimensions            | 256mm (L) x 194mm (H) x 75mm (W) |
| Weight                | 633g                             |



| GFE Order Code | Part No.                   | Description            |
|----------------|----------------------------|------------------------|
| OCTO-PRINTER   | CHAMELEON internal printer | OCTO+ internal printer |

#### Web Interface

Allows integration with existing LANs via Wi-Fi or optional Ethernet cable

##### Technical Specifications:

|                       |                     |
|-----------------------|---------------------|
| Primary Supply        | 20 - 30V DC         |
| Supply Current        | 28mA                |
| Operating Temperature | -10°C to 50°C       |
| Dimensions            | 90mm (L) x 40mm (H) |
| Weight                | 24g                 |

| GFE Order Code    | Part No.    | Description                               |
|-------------------|-------------|---|
| CHAMELEON-TCP-WEB | INT-TCP-WEB | CHAMELEON Web Interface for Remote Access |



## OWL Graphical Software

OWL is an advanced management and monitoring graphical software for GFE's CHAMELEON range of fire alarm control panels.

OWL's sophisticated graphical user interface (GUI) displays all devices, alarm conditions and status of the entire system. The software is easy to operate. The configuration file of the control panel is used to import the devices information, such as loops, zones, text information and device types.

Any Fire or Fault is highlighted with flashing icons which indicate the exact location using the imported floor layouts.

### Key Features:

- ✓ Drag and drop icon placement for easy mapping
- ✓ Operation from software: Silence/Resound, Enable/Disable, System Reset
- ✓ View real-time device information such as analogue values
- ✓ Max. 5 users simultaneously connected
- ✓ User levels: Admin/Operator
- ✓ Global event log
- ✓ Selectable event notification via Email and SMS
- ✓ Compatible operating system: Windows XP/7/8/10, MacOS, Linux, Android and IO

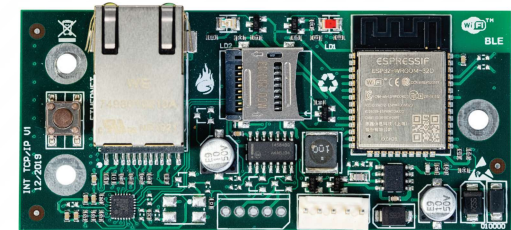


| GFE Order Code | Part No.            | Description                                |
|----------------|---------------------|--|
| OWL-1          | OWL- 1 PANEL        | OWL Graphical Software Licence, 1 Panel    |
| OWL-2-5        | OWL - 2 to 5 PANELS | OWL Graphical Software Licence, 2-5 Panels |
| OWL-6+         | OWL - 6+ PANELS     | OWL Graphical Software Licence, 6+ Panels  |

### OWL Graphical Interface

One required per network.

Allows integration of CHAMELEON panels into a graphical monitoring software by sending and receiving information about the network from the panel it is connected to.



### Technical Specifications:

|                       |                     |
|-----------------------|---------------------|
| Primary Supply        | 24V DC              |
| Supply Current        | 28mA                |
| Operating Temperature | -10°C to 55°C       |
| Dimensions            | 90mm (L) x 40mm (H) |
| Weight                | 24g                 |

| GFE Order Code    | Part No.       | Description                            |
|-------------------|----------------|--|
| CHAMELEON-TCP-OWL | INT TCP/IP ODY | CHAMELEON OWL Graphical Interface Card |

## ZEOS-AD

### Analogue Addressable Detectors

The ZEOS-AD series of analogue addressable detectors has been designed to be compatible with the GFE range of fire alarm control panels.

In conjunction with the CHAMELEON panels, the ZEOS-AD detector range contains algorithms that can accommodate several alarm thresholds and timed options in the multi-sensor variant.

Certified to EN 54-5 and EN 54-7, the ZEOS-AD series detectors are available in optical, heat and multisensory detector variants.

These detectors are available in white and black. ZEOS bases guarantee the electrical connection points within detector heads, which is key to ensuring a stable system. A deeper base version is also available.



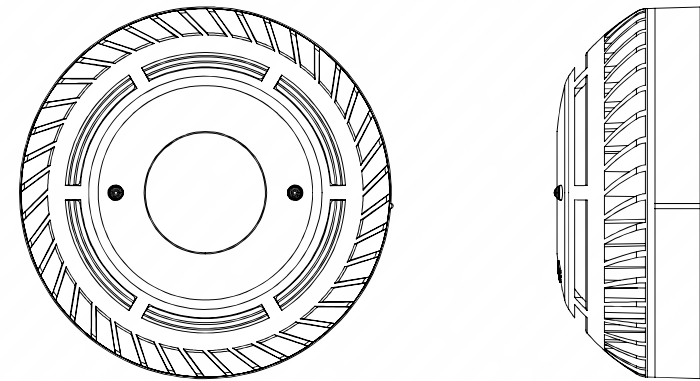
EN54-2 and EN54-4  
1328-CPR-0811

#### Key Features:

- ✓ EN54-5 & EN54-7 certified
- ✓ DL switch addressing
- ✓ Dual LEDs for 360° visibility
- ✓ Option of switching off LEDs
- ✓ Sleek, low profile housing
- ✓ Available in White or Black variants

#### Technical Specifications:

|                                   |                                     |
|-----------------------------------|-------------------------------------|
| Supply Voltage                    | 17 - 30V DC                         |
| Quiescent Current                 | 0.45mA                              |
| Alarm Current                     | 4mA (detector LED illuminated)      |
| Smoke Detector Sensitivity        | Low/Normal (default)/High           |
| Heat Detector Modes               | 55°C/65°C (default)/75°C/85°C       |
| Multisensor Modes                 | Smoke/Heat/Smoke & Heat (default)   |
| Operating Temperature (Normal)    | 0°C to 50°C                         |
| Operating Temperature (Transient) | -10°C to 85°C                       |
| Humidity                          | Max. 95% RH Non-Condensing          |
| Ingress Protection                | IP20                                |
| Dimensions                        | 100mm (Dia) x 50mm (H) - with base  |
| Weight                            | 92g (without base)/144g (with base) |
| Colour                            | White and Black available           |



#### Detectors

| GFE Order Code  | Part No.                  | Description                            |
|-----------------|---------------------------|--|
| ZEOS-AD-S       | ZEOS-AD-S (HEAD) - WHITE  | ZEOS Addressable Smoke Detector        |
| ZEOS-AD-S(BLK)  | ZEOS-AD-S (HEAD) - BLACK  | ZEOS Addressable Smoke Detector, Black |
| ZEOS-AD-H       | ZEOS-AD-H (HEAD) - WHITE  | ZEOS Addressable Heat Detector         |
| ZEOS-AD-H(BLK)  | ZEOS-AD-H (HEAD) - BLACK  | ZEOS Addressable Heat Detector, Black  |
| ZEOS-AD-SH      | ZEOS-AD-SH (HEAD) - WHITE | ZEOS Addressable Multisensor           |
| ZEOS-AD-SH(BLK) | ZEOS-AD-SH (HEAD) - BLACK | ZEOS Addressable Multisensor, Black    |

#### Bases

| GFE Order Code     | Part No.                   | Description                    |
|--------------------|----------------------------|--------------------------------|
| ZEOS-BASE          | ZEOS-DETECTOR-BASE - WHITE | ZEOS Mounting Base             |
| ZEOS-BASE(BLK)     | ZEOS-DETECTOR-BASE - BLACK | ZEOS Mounting Base, Black      |
| ZEOS-DEEPBASE      | ZEOS-DEEP-BASE - WHITE     | ZEOS Deep Mounting Base        |
| ZEOS-DEEPBASE(BLK) | ZEOS-DEEP-BASE - BLACK     | ZEOS Deep Mounting Base, Black |

## MCPE-A

### Addressable Manual Call Points

The MCPE-A series of analogue addressable manual call points, manufactured in compliance with EN54-11, has been designed to be compatible with the GFE range of addressable fire alarm control panels.

As standard, all GFE's addressable manual call points come with a built-in transparent hinged flap. The units also feature an integral short circuit isolator.

The manual call points come with a bi-colour LED, which flashes **Green** when connected and **Red** when in alarm.

For flush mount, a low profile mounting adaptor accessory, GFE-MCPE Adaptor Plate is available to enable the installation of the manual call point directly to a single gang electrical box.

#### Key Features:

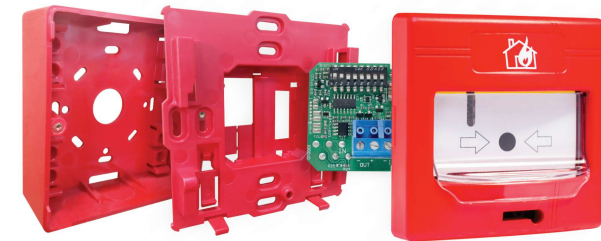
- ✓ Compliance with EN54-11
- ✓ DIL switch addressing
- ✓ Built-in transparent hinged flap
- ✓ Built-in loop short circuit isolator
- ✓ Bi-colour LED - **Green** (connected) & **Red** (alarm)



EN54-2 and EN54-4  
1328-CPR-0811

#### Technical Specifications:

|                       | GFE-MCPE-AI                    | GFE-MCPE-AI-IP67                     |
|-----------------------|--------------------------------|--------------------------------------|
| Supply Voltage        | 20 - 30V DC                    |                                      |
| Quiescent Current     | 0.65mA                         |                                      |
| Alarm Current         | 3.1mA (red LED illuminated)    |                                      |
| Operating Temperature | -10°C to 55°C                  | 10°C to 50°C                         |
| Humidity              | Max. 95% RH Non-Condensing     |                                      |
| Ingress Protection    | IP24D                          | IP67                                 |
| Dimensions            | 60mm (D) x 93mm (H) x 93mm (W) | 81mm (D) x 112mm (H) x 112mm (W)     |
| Weight                | 152g                           | 262g (includes back box and fixings) |
| Colour                | Red                            |                                      |



#### Manual Call Points

| GFE Order Code   | Part No.         | Description  |
|------------------|------------------|--|
| GFE-MCPE-AI      | GFE-MCPE-AI      | GFE Addressable Manual Call Point c/w Isolator incl. Cover       |
| GFE-MCPE-AI-IP67 | GFE-MCPE-AI-IP67 | GFE Addressable Manual Call Point c/w Isolator, IP67 incl. Cover |

#### Accessories

| GFE Order Code   | Part No.               | Description                                  |
|------------------|------------------------|--|
| GFE-MCPE-ADAPTOR | GFE-MCPE-ADAPTOR PLATE | GFE Manual Call Point Adaptor Plate          |
| GFE-MCPE-KEYS    | RESET KEYS - 10        | GFE Manual Call Point Reset Key (Pack of 10) |

## Addressable Audio/Visual

### VULCAN2-A Base Mount

The addressable base-mounted VULCAN2-A is available in different sounder/beacon variants including as a combined sounder/beacon, which should be configured to operate in auxiliary mode for BS 5839 compliance.

Up to 63 VULCAN2-A devices can be connected per loop, subject to loop loading.



EN54-2 and EN54-4  
1328-CPR-0811

#### Technical Specifications:

|                       | VULCAN2-AS(I)   | VULCAN2-AB(I)                                  | VULCAN2-ASB(I)                                 |
|-----------------------|---|--|--|
| Supply Voltage        | 20V - 30V DC  |  |  |
| Quiescent Current     | 0.65mA with Isolator<br>0.5mA without Isolator<br>0.7mA VOX variant | 0.65mA with Isolator<br>0.5mA without Isolator | 0.65mA with Isolator<br>0.5mA without Isolator |
| Alarm Current         | 7.15mA with Isolator<br>7mA without Isolator<br>7.5mA VOX variant   | 2.65mA with Isolator<br>2.5mA without Isolator | 8.15mA with Isolator<br>8mA without Isolator   |
| Max. Sounder Output   | 97dB @ 1m - 30V DC  |  |  |
| Operating Temperature | -10°C to 55°C   |  |  |
| Humidity              | Max. 95% RH Non-Condensing  |  |  |
| Dimensions            | 50mm (H) x 100mm (Dia)  |  |  |
| Weight                | 144g (with base)  |  |  |
| Enclosure Colour      | White and Black available   |  |  |

| GFE Order Code    | Part No.              | Description  |
|-------------------|-----------------------|--|
| VULCAN2-ASI       | VULCAN 2 ASI          | VULCAN 2 Addressable Base Sounder c/w Isolator               |
| VULCAN2-ASI(BLK)  | VULCAN 2 ASI - BLACK  | VULCAN 2 Addressable Base Sounder c/w Isolator, Black        |
| VULCAN2-ABI       | VULCAN 2 ABI          | VULCAN 2 Addressable Base Beacon c/w Isolator                |
| VULCAN2-ABI(BLK)  | VULCAN 2 ABI - BLACK  | VULCAN 2 Addressable Base Beacon c/w Isolator, Black         |
| VULCAN2-ASBI      | VULCAN 2 ASBI         | VULCAN 2 Addressable Base Sounder Beacon c/w Isolator        |
| VULCAN2-ASBI(BLK) | VULCAN 2 ASBI - BLACK | VULCAN 2 Addressable Base Sounder Beacon c/w Isolator, Black |
| VULCAN2-LID       | VULCAN 2 L            | White Lid for VULCAN 2 Base Sounder                          |
| VULCAN2-LID(BLK)  | VULCAN 2 L - BLACK    | Black Lid for VULCAN 2 Base Sounder                          |

| GFE Order Code  | Part No.         | Description                                    |
|-----------------|------------------|--|
| VOX-A-VULCAN2-S | VULCAN 2 VOX - A | VULCAN 2 Addressable Base Voice Sounder, White |

### VALKYRIE-A Wall Mount

The addressable wall-mounted VALKYRIE-A is available in different sounder/beacon variants, including as a combined sounder/beacon variant. Up to 32 individually addressed sounders can be installed per loop.



#### Technical Specifications:

|                       | VALKYRIE-AS(I)  | VALKYRIE-AB(I)  | VALKYRIE-ASB(I)                                |
|-----------------------|---|---|--|
| Supply Voltage        | 20V - 30V DC  |   |  |
| Quiescent Current     | 0.65mA with Isolator<br>0.5mA without Isolator<br>0.7mA VOX variant | 0.65mA with Isolator<br>0.5mA without Isolator<br>0.7mA VOX variant | 0.65mA with Isolator<br>0.5mA without Isolator |
| Alarm Current         | 7.65mA with Isolator<br>7.5mA without Isolator<br>7.5mA VOX variant | 1.55mA with Isolator<br>1.4mA without Isolator<br>8.9mA VOX variant | 9.05mA with Isolator<br>8.9mA without Isolator |
| Max. Sounder Output   | 100dB @ 1m - 30V DC   |   |  |
| Operating Temperature | -10°C to 55°C   |   |  |
| Humidity              | Max. 95% RH Non-Condensing  |   |  |
| Ingress Protection    | IP21C Type A Indoor Use/IP65 Type B Outdoor Use                     |   |  |
| Dimensions            | 85mm (H) x 110mm (Dia)  |   |  |
| Weight                | 254g (with base)  |   |  |
| Enclosure Colour      | Red or White available  |   |  |

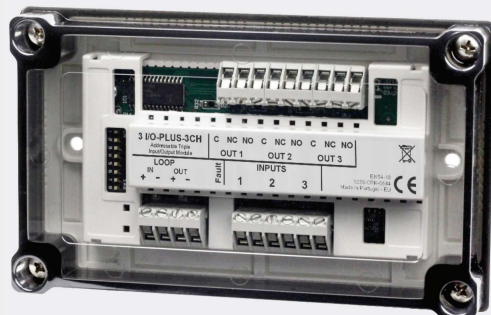
| GFE Order Code     | Part No.           | Description  |
|--------------------|--------------------|--|
| VALKYRIE-AS        | VALKYRIE AS        | VALKYRIE Addressable Wall Mount Sounder, Red                           |
| VALKYRIE-AS(WHT)   | VALKYRIE AS WHT    | VALKYRIE Addressable Wall Mount Sounder, White                         |
| VALKYRIE-ASI-IP65  | VALKYRIE ASI IP65  | VALKYRIE Addressable Wall Mount Sounder c/w Isolator, Red, IP65        |
| VALKYRIE-AB        | VALKYRIE AB        | VALKYRIE Addressable Wall Mount Beacon, Red                            |
| VALKYRIE-AB(WHT)   | VALKYRIE AB WHT    | VALKYRIE Addressable Wall Mount Beacon, White                          |
| VALKYRIE-ABI-IP65  | VALKYRIE ABI IP65  | VALKYRIE Addressable Wall Mount Beacon c/w Isolator, Red, IP65         |
| VALKYRIE-ASB       | VALKYRIE ASB       | VALKYRIE Addressable Wall Mount Sounder Beacon, Red                    |
| VALKYRIE-ASB(WHT)  | VALKYRIE ASB WHT   | VALKYRIE Addressable Wall Mount Sounder Beacon, White                  |
| VALKYRIE-ASBI-IP65 | VALKYRIE ASBI IP65 | VALKYRIE Addressable Wall Mount Sounder Beacon c/w Isolator, Red, IP65 |

| GFE Order Code        | Part No.                | Description  |
|-----------------------|-------------------------|--|
| VOX-A-VALKYRIE-S      | VALKYRIE VOX - A        | VALKYRIE Addressable Wall Mount Voice Sounder, Red       |
| VOX-A-VALKYRIE-S(WHT) | VALKYRIE VOX - A WHITE  | VALKYRIE Addressable Wall Mount Voice Sounder, White     |
| VOX-A-VALKYRIE-S-IP65 | VALKYRIE VOX A - IP65   | VALKYRIE Addressable Wall Mount Voice Sounder, Red, IP65 |
| VOX-A-VALKYRIE-B      | VALKYRIE VOX - AB       | VALKYRIE Addressable Wall Mount Voice Beacon, Red        |
| VOX-A-VALKYRIE-B(WHT) | VALKYRIE VOX - AB WHITE | VALKYRIE Addressable Wall Mount Voice Beacon, White      |
| VOX-A-VALKYRIE-B-IP65 | VALKYRIE VOX AB - IP65  | VALKYRIE Addressable Wall Mount Voice Beacon, Red, IP65  |

## Interfaces

### GFE-IO Input/Output Interfaces

GFE's Input/Output device allows interfaces of third-party equipment with the fire alarm control panel using normally open dry contacts. The connection to each input is monitored for Fault and Alarm conditions.



The interfaces are available in 1, 2 and 3 voltage-free, single pole changeover relay outputs.

The units feature status LEDs and integral short circuit isolators.

EN54-2 and EN54-4  
1328-CPR-0811

### GFE-MIO Mains Switching Input/Output Interface

The Mains Input/Output interface is similar to GFE-IO but is available in 1 voltage-free, single pole changeover mains rated output.

| Technical Specifications:   |          |                                     |          |                 |
|-----------------------------|----------|-------------------------------------|----------|-----------------|
|                             | GFE-IO-1 | GFE-IO-2                            | GFE-IO-3 | GFE-MIO         |
| Supply Voltage              |          | 17 - 30V DC                         |          |                 |
| Quiescent Current (IQ)      | 1.4mA    | 1.5mA                               | 1.6mA    | 1.3mA           |
| Alarm Current               | 3.7mA    | 6.1mA                               | 8.5mA    | 2.9mA           |
| Current - Short Circuit     |          | IQ + 1.4mA                          |          |                 |
| Current - Open Circuit      |          | IQ + 1mA                            |          |                 |
| Current - Output            |          | IQ + 1.1mA for each output in alarm |          |                 |
| Output Relay Contact Rating |          | 30V DC max, 2A                      |          | 240V AC max, 8A |
| Operating Temperature       |          | -10°C to 50°C                       |          |                 |
| Humidity                    |          | Max. 95% RH Non-Condensing          |          |                 |
| Dimensions                  |          | 90mm (L) x 32mm (H) x 150mm (W)     |          |                 |
| Weight                      |          | 216g (boxed)                        |          | 210g (boxed)    |

| GFE Order Code | Part No.                  | Description                                       |
|----------------|---------------------------|---|
| GFE-IO-1       | 3 I/O - PLUS - 1 CHANNEL  | GFE Addressable 1-Channel I/O Module c/w Isolator |
| GFE-IO-2       | 3 I/O - PLUS - 2 CHANNELS | GFE Addressable 2-Channel I/O Module c/w Isolator |
| GFE-IO-3       | 3 I/O - PLUS - 3 CHANNELS | GFE Addressable 3-Channel I/O Module c/w Isolator |
| GFE-MIO        | MAINS I/O                 | GFE Mains Switching I/O Module c/w Isolator       |

### GFE-ZMU Zone Monitoring Unit Interface

The Zone Monitoring Unit Interface is used to connect conventional zones to the fire alarm control panel and is available in 1 or 2 zone variants. This module requires an external 24V DC power supply.

| Technical Specifications: |                                 |           |
|---------------------------|---------------------------------|-----------|
|                           | GFE-ZMU-1                       | GFE-ZMU-2 |
| Supply Voltage            | 20 - 30V DC                     |           |
| Loop Current              | 1.6mA                           |           |
| Quiescent Current         | 5.3mA                           |           |
| Alarm Current             | 23mA                            | 46mA      |
| Current - Short Circuit   | 33mA                            | 66mA      |
| Current - Open Circuit    | 7mA                             | 14mA      |
| Operating Temperature     | -10°C to 50°C                   |           |
| Humidity                  | Max. 95% RH Non-Condensing      |           |
| Dimensions                | 90mm (L) x 32mm (H) x 150mm (W) |           |
| Weight                    | 220g (boxed)                    |           |

| GFE Order Code | Part No.           | Description                              |
|----------------|--------------------|--|
| GFE-ZMU-1      | QUAD ZMU - 1 ZONE  | GFE Addressable 1 Zone Monitoring Module |
| GFE-ZMU-2      | QUAD ZMU - 2 ZONES | GFE Addressable 2 Zone Monitoring Module |

### MAM Manually Addressed Module



With its compact size, the MAM allows the connection and addressing of conventional detectors, manual call points and conventional audio/visual devices on a loop.



| Technical Specifications: |                                |
|---------------------------|--------------------------------|
| Supply Voltage            | 17V - 30V DC                   |
| Quiescent Current         | 1.1mA                          |
| Alarm Current             | 12mA                           |
| Operating Temperature     | -10°C to 50°C                  |
| Humidity                  | Max. 95% RH Non-Condensing     |
| Dimensions                | 48mm (L) x 12mm (H) x 24mm (W) |
| Weight                    | 18g                            |

| GFE Order Code | Part No.         | Description   |
|----------------|------------------|---|
| MAM(WHT)       | MAM - WHITE      | Manually Addressed Module for Conventional Smoke / Heat Detectors |
| MAM(RED)       | MAM - RED        | Manually Addressed Module for Conventional Manual Call Points     |
| MAM(YEL)-VAD   | MAM - YELLOW VAD | Manually Addressed Module for Conventional VADs                   |

## GFE-MULTI Multi Interface

The MULTI Interface Unit provides four zone monitor units, three sounder units and two system auxiliary relays.

The interface has selectable active or resistive end of line monitoring for the Zone Monitor Units. The status of each zone is indicated by two LEDs. A **Red** LED signals a Fire and a **Yellow** LED indicates a Fault on that zone.



EN54-2 and EN54-4  
1328-CPR-0811

### Technical Specifications:

|                         |   |                      |
|-------------------------|---|----------------------|
| Supply Voltage          | 20 - 30V DC (external supply)                                   |                      |
|                         | <b>Active EOL</b>   | <b>Resistive EOL</b> |
| Quiescent Current (IQ)  | 9.7mA   | 27mA                 |
| Alarm Current           | 23mA per zone   | 9mA per zone         |
|                         | 9mA per sounder   | 9mA per sounder      |
|                         | 6mA per active relay  | 6mA per active relay |
| Current - Open Circuit  | 7mA per zone  | -                    |
| Current - Short Circuit | 33mA per zone   | 31.5mA per zone      |
|                         | 1mA per sounder   | 1mA per sounder      |
| Sounder Current         | 1A max. (combined S1, S2 and S3)                                |                      |
| Zone EOL                | 10uF 50V Bipolar Electrolytic Capacitor / 4K7 Ohm ¼W Resistor   |                      |
| Sounder EOL             | 10K Ohm   |                      |
| Relays Specification    | 30V DC 2A   |                      |
| Relay 1 Function        | Active with any zone with alarm condition (zones 'OR' function) |                      |
| Relay 2 Function        | Panel reset signal (active for 10s after panel reset)           |                      |
| Operating Temperature   | -10°C to 50°C   |                      |
| IP Rating               | IP50  |                      |
| Humidity                | Max. 95% RH Non-Condensing                                      |                      |
| Dimensions              | 90mm (L) x 32mm (H) x 150mm (W)                                 |                      |
| Weight                  | 210g  |                      |

| GFE Order Code | Part No.  | Description  |
|----------------|-----------|--|
| GFE-MULTI      | MULTI-I/O | GFE Multi I/O Module - 4 x ZMU + 3 x LSC + 2 x Aux. Relays |

## Software

### CHAMELEON Connector

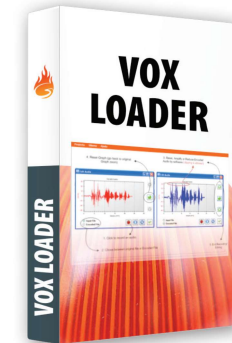
The CHAMELEON Connector configuration software enables the programming of the Chameleon range of panels.



### VOX Loader

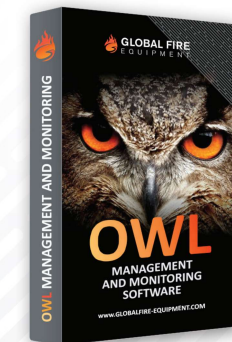
The VOX Loader software allows the configuration and download of voice messages to the VOX range of audio/visual devices.

The VOX Loader automatically detects whether the connected device is addressable or conventional.



### OWL

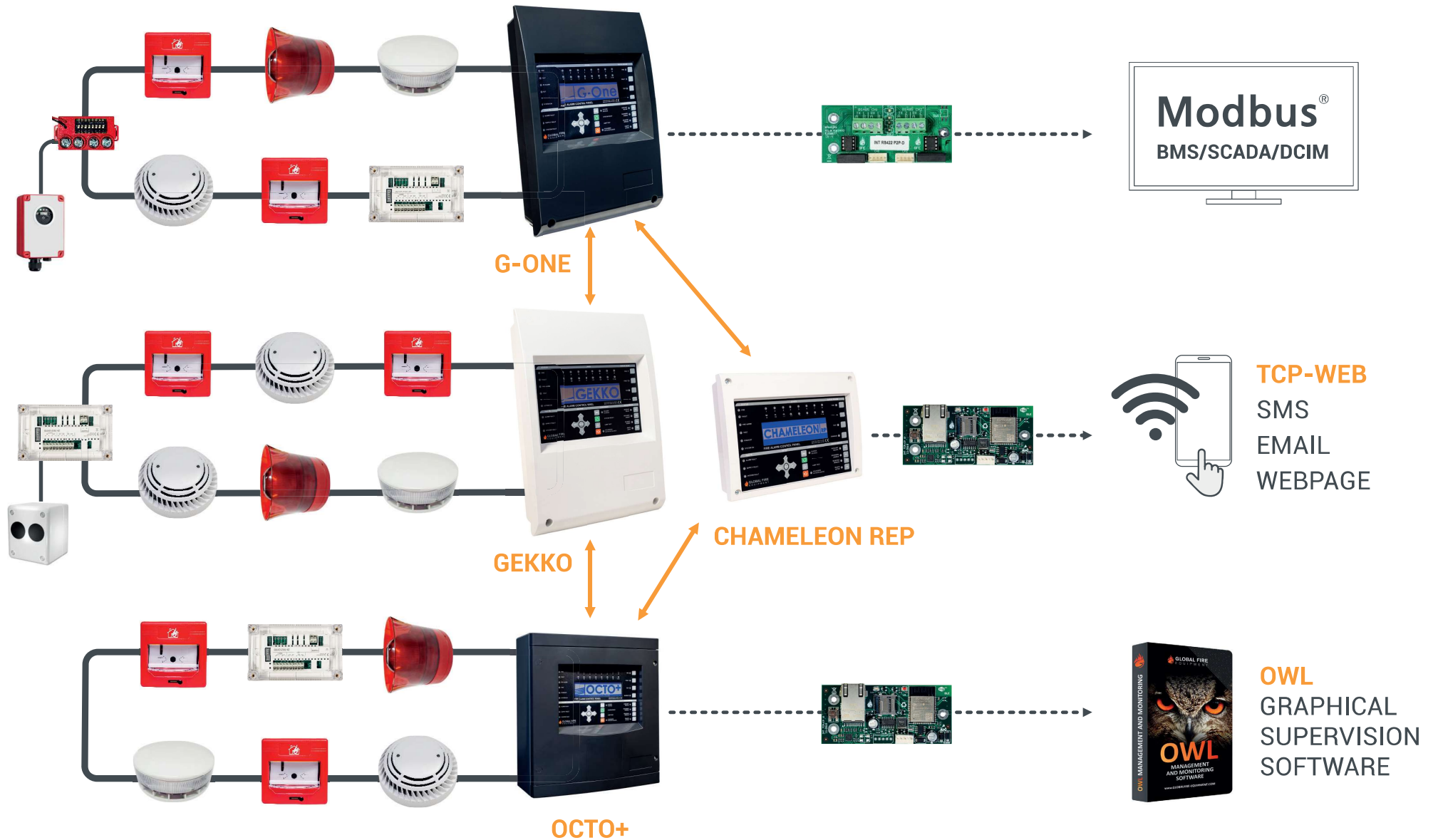
OWL is a fire alarm management and graphical monitoring software that works with the CHAMELEON range of panels.



## ADDRESSABLE LOOP

## CHAMELEON NETWORK

## BMS



# Conventional Range

## ORION

### Conventional Fire Alarm Control Panel

Easy to install and housed in a plastic ABS enclosure, the ORION conventional control panel range offers a creatively designed and aesthetically pleasing solution for smaller, cost-conscious installations that demand simplicity of operation. The range features 2, 4 and 8 Zone variants.

Operation is extremely intuitive, offering simple control and one-button disablement facilities, as well as the Walk (one-man) Test mode, which enables simple and rapid testing of the system during commissioning and maintenance.

A wide range of engineering functions are also provided, including selectable zone delays, coincidence and non-latching zone facilities. Comprehensive test and fault-finding facilities are also provided.

Optional repeaters, relay expansion boards and EN 54-13 system compliance devices are also available.



EN54-2 and EN54-4  
1328-CPR-0811

#### Key Features:

- ✓ Compliance with EN54-2/4
- ✓ 2, 4 and 8 zone (non-expandable) variants
- ✓ Up to 32 conventional devices per zone
- ✓ Active end of line monitoring
- ✓ Programmable non-latching zones (selectable for each zone)
- ✓ Programmable sounder delay timer
- ✓ Programmable delay operation for each zone
- ✓ Programmable non-latching zones
- ✓ Day/night function
- ✓ Coincidence (programmable for adjacent zones)
- ✓ Walk-Test feature
- ✓ Auxiliary 24V supply output
- ✓ 2 monitored sounder circuits
- ✓ 3 remote inputs (Class Change, Remote Reset and Day/Night operation)
- ✓ 2 on-board relays (Fire and Fault)
- ✓ Optional repeater and conventional peripherals available

#### Technical Specifications:

|                                | ORION-2  | ORION-4 | ORION-8 |
|--------------------------------|--|---------|---------|
| Mains Supply                   | 230V AC (+10%, -15% tolerance)                             |         |         |
| Mains Supply Fuse              | 4A 250V  |         |         |
| Primary DC Supply              | 28.5V DC @ 1.7A (max)                                      |         |         |
| Secondary Supply               | 21.0V DC (min) to 27.2V DC (max) - Battery Charger: 28V DC |         |         |
| Battery Capacity               | 2 x 12V 7Ah (internally)                                   |         |         |
| Aux. Relays (Fire)             | 50V DC 1A resistive  |         |         |
| Aux. Relays (Fault)            | 50V DC 1A resistive  |         |         |
| Quiescent Current              | 52mA   | 52mA    | 55mA    |
| Alarm Current                  | 91mA   | 91mA    | 96mA    |
| Aux. Power Output              | 2 x 24V DC 300mA / 1 x 24V switched output                 |         |         |
| Loop Output Current (per loop) | 900mA alarm peak/165mA quiescent                           |         |         |
| Conventional Sounder Circuits  | 2 x 250mA Max  |         |         |
| Operating Temperature          | -10°C to 50°C  |         |         |
| Humidity                       | Max. 95% RH Non-Condensing                                 |         |         |
| Ingress Protection             | IP30   |         |         |
| Dimensions                     | 273mm (L) x 404mm (H) x 107mm (W)                          |         |         |
| Weight                         | 1.7Kg (no batteries)                                       |         |         |
| Enclosure Colour               | White  |         |         |

| GFE Order Code | Part No. | Description        |
|----------------|----------|--------------------|
| ORION-2        | ORION 2  | ORION 2 Zone Panel |
| ORION-4        | ORION 4  | ORION 4 Zone Panel |
| ORION-8        | ORION 8  | ORION 8 Zone Panel |



## ZEOS-C

### Conventional Detectors

The ZEOS-C series of fire alarm detectors has been designed to be exclusively compatible with GFE's range of conventional detection zones available in the following equipment:

- Conventional Panels ORION, ORION MINI, ORION EX and ORION-PLUS Conventional Panels
- QUAD-ZMU and ZMU Addressable Zone Monitoring Units

Certified to EN54-5 and EN54-7, the ZEOS-C series detectors are available in Smoke, Heat and Combined Smoke/Heat versions.



EN54-2 and EN54-4  
1328-CPR-0811

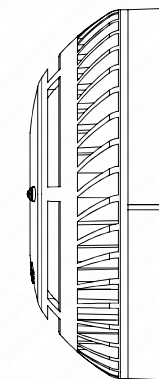
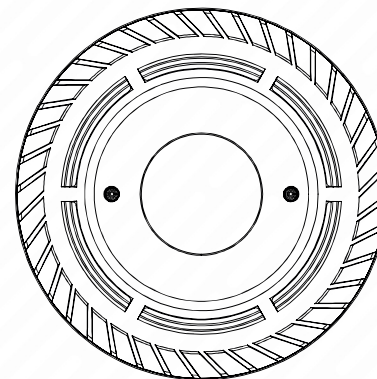
#### Key Features:

- ✓ EN54-5 & EN54-7 certified
- ✓ DIL switch addressing
- ✓ Dual LEDs for 360° visibility
- ✓ Option of switching off LED's
- ✓ Sleek, low profile housing
- ✓ Available in White or Black variants



#### Technical Specifications:

|                                      |   |
|--------------------------------------|---|
| SUPPLY VOLTAGE                       | 17-30V DC   |
| CURRENT - QUIESCENT / SURGE          | Heat: 7uA/Smoke: 33uA/Smoke & Heat: 35uA                  |
| CURRENT - DEVICE IN ALARM            | 24 mA - Alarm LEDs illuminated                            |
| SENSITIVITY                          | According to EN54-5 or/and EN54-7                         |
| CABLE SIZE                           | 0.5-2.5 mm <sup>2</sup>                                   |
| RESET/START-UP TIMES                 | 20 seconds max.   |
| IP RATING / COLOUR / CASE MATERIAL   | IP20/White/ABS  |
| MAX. HUMIDITY                        | 95% RH Non-Condensing                                     |
| NORMAL / TRANSIENT OPER. TEMPERATURE | 0°C to 50°C/-10°C to 85°C                                 |
| DIMENSIONS                           | 100 (D) x 50 (H) mm included base                         |
| WEIGHT                               | 92g and 144g inc. base                                    |
| COMPATIBILITY                        | ORION, ORION MINI, ORION EX, ORION-PLUS, QUAD-ZMU and ZMU |



#### Detectors

| GFE Order Code | Part No.      | Description                       |
|----------------|---------------|-----------------------------------|
| ZEOS-C-S       | 1328-CPR-0705 | PHOTOELECTRIC SMOKE DETECTOR      |
| ZEOS-C-H       | 1328-CPR-0706 | FIXED TEMPERATURE/HEAT DETECTOR   |
| ZEOS-C-SH      | 1328-CPR-0704 | MULTISENSOR SMOKE & HEAT DETECTOR |

#### Bases

| GFE Order Code | Part No.                 | Description     |
|----------------|--------------------------|-----------------|
| ZEOS-DIODEBASE | ZEOS-DETECTOR-DIODE BASE | ZEOS Diode Base |

## MCPE-C

### Conventional Manual Call Points



The MCPE-C series of conventional manual call points, manufactured in compliance with EN 54-11, has been designed to be compatible with GFE's range of conventional fire alarm control panels.

All GFE's conventional manual call points come with a flexible element and a built-in transparent hinged flap as standard.

The manual call points come with a bi-colour LED, which flashes **Green** when connected and **Red** when in alarm.

For flush mount, a low-profile mounting adaptor accessory, GFE-MCPE ADAPTOR PLATE, is available to enable the installation of the manual call point directly to a single gang electrical box.



EN54-2 and EN54-4  
1328-CPR-0811

#### Key Features:

- ✓ Compliance with EN54-11
- ✓ Flexible element
- ✓ Built-in transparent hinged flap
- ✓ Bi-colour LED - **Green** (connected) & **Red** (alarm)
- ✓ Available in Red, Yellow, Green, Blue and White variants

#### Technical Specifications:

|                       | GFE-MCPE-C                                    | GFE-MCPE-C-IP67                      |
|-----------------------|---|--------------------------------------|
| Supply Voltage        | 15 - 30V DC                                   |                                      |
| Quiescent Current     | 0.2mA   |                                      |
| Alarm Current         | 50mA (red LED illuminated) @ 24V DC           |                                      |
| Operating Temperature | -10°C to 55°C                                 |                                      |
| Humidity              | Max. 95% RH Non-Condensing                    |                                      |
| Ingress Protection    | IP24D   | IP67                                 |
| Dimensions            | 60mm (D) x 93mm (H) x 93mm (W)                | 81mm (D) x 112mm (H) x 112mm (W)     |
| Weight                | 152g  | 262g (includes back box and fixings) |
| Colour                | Red / Yellow / Green / Blue / White available |                                      |

#### Manual Call Points

| GFE Order Code  | Part No.          | Description   |
|-----------------|-------------------|---|
| GFE-MCPE-C      | GFE-MCPE-C        | GFE Conventional Manual Call Point, Red incl. Cover       |
| GFE-MCPE-C(YEL) | GFE-MCPE-C YELLOW | GFE Conventional Manual Call Point, Yellow incl. Cover    |
| GFE-MCPE-C(GRN) | GFE-MCPE-C GREEN  | GFE Conventional Manual Call Point, Green incl. Cover     |
| GFE-MCPE-C(BLU) | GFE-MCPE-C BLUE   | GFE Conventional Manual Call Point, Blue incl. Cover      |
| GFE-MCPE-C(WHT) | GFE-MCPE-C WHITE  | GFE Conventional Manual Call Point, White incl. Cover     |
| GFE-MCPE-C-IP67 | GFE-MCPE-C-IP67   | GFE Conventional Manual Call Point, Red, IP67 incl. Cover |

#### Accessories

| GFE Order Code   | Part No.               | Description                                  |
|------------------|------------------------|--|
| GFE-MCPE-ADAPTOR | GFE-MCPE ADAPTOR PLATE | GFE Manual Call Point Adaptor Plate          |
| GFE-MCPE-KEYS    | RESET KEYS - 10        | GFE Manual Call Point Reset Key (Pack of 10) |

## GFE-REM-IND-C

### Conventional Flashing Remote Indicator

This remote indicator can be used with any conventional fire alarm detector to remotely indicate the activation of the relevant detection device.

Its main characteristics are the high visibility due to two flashing, high-efficiency LEDs and the wide operating voltage range (3.3V to 10V DC) with a maximum 7mA current consumption. The connections of this device are non-polarised.

Available in white as standard or in black if required (as seen).



| GFE Order Code | Part No.       | Description                            |
|----------------|----------------|--|
| GFE-C-REM-IND  | GFE-REM-IND-CE | Conventional flashing Remote Indicator |

# Conventional Audio/ Visual VULCAN2-C Base Mount

The conventional base-mounted VULCAN 2-C is available in different sounder/beacon variants.

The audibility level can be adjusted if required using the potentiometer.



EN54-2 and EN54-4  
1328-CPR-0811

### Technical Specifications:

|                       | VULCAN2-CS                   | VULCAN2-CB   | VULCAN2-CSB |
|-----------------------|------------------------------|--------------|-------------|
| Supply Voltage        |                              | 20V - 30V DC |             |
| Alarm Current         | 7.5mA<br>28-65mA VOX variant | 2.5mA        | 8.9mA       |
| Max. Sounder Output   | 97dB @ 1m - 30V DC           |              |             |
| Operating Temperature | -10°C to 55°C                |              |             |
| Humidity              | Max. 95% RH Non-Condensing   |              |             |
| Dimensions            | 38mm (H) x 110mm (Dia)       |              |             |
| Weight                | 149g (with Lid)              |              |             |
| Enclosure Colour      | White                        |              |             |

| GFE Order Code | Part No.     | Description                                       |
|----------------|--------------|---|
| VULCAN2-CS     | VULCAN 2 CS  | VULCAN 2 Conventional Base Sounder c/w Lid        |
| VULCAN2-CB     | VULCAN 2 CB  | VULCAN 2 Conventional Base Beacon c/w Lid         |
| VULCAN2-CSB    | VULCAN 2 CSB | VULCAN 2 Conventional Base Sounder Beacon c/w Lid |

| GFE Order Code  | Part No.          | Description                                     |
|-----------------|-------------------|---|
| VOX-C-VULCAN2-S | VULCAN 2 VOX - CB | VULCAN 2 Conventional Base Voice Sounder, White |

# VALKYRIE-C Wall Mount

The conventional wall-mounted VALKYRIE-C is available in different sounder/beacon variants.



EN54-2 and EN54-4  
1328-CPR-0811



### Technical Specifications:

|                       | VALKYRIE-CS  | VALKYRIE-CB                | VALKYRIE-CSB |
|-----------------------|--|----------------------------|--------------|
| Supply Voltage        |  | 20V - 30V DC               |              |
| Alarm Current         | 7.5mA<br>28-65mA VOX variant                                       | 1.4mA<br>8.9mA VOX variant | 8.9mA        |
| Max. Sounder Output   | 98dB @ 1m - 30V DC   |                            |              |
| Operating Temperature | -10°C to 55°C  |                            |              |
| Humidity              | Max. 95% RH Non-Condensing   |                            |              |
| Ingress Protection    | IP21C Type A Indoor Use / IP65 Type B Outdoor Use                  |                            |              |
| Dimensions            | 85mm (H) x 110mm (Dia) / 50mm (H) x 110mm (Dia) - VALKYRIE-CB only |                            |              |
| Weight                | 254g (with base) / 150g (with base) - VALKYRIE-CB only             |                            |              |
| Enclosure Colour      | Red or White available   |                            |              |

| GFE Order Code     | Part No.           | Description  |
|--------------------|--------------------|--|
| VALKYRIE-CS        | VALKYRIE CS        | VALKYRIE Conventional Wall Mount Sounder, Red          |
| VALKYRIE-CS(WHT)   | VALKYRIE CS WHT    | VALKYRIE Conventional Wall Mount Sounder, White        |
| VALKYRIE-CS-IP65   | VALKYRIE CS IP65   | VALKYRIE Conventional Wall Mount Sounder, Red, IP65    |
| VALKYRIE-CB        | VALKYRIE CB        | VALKYRIE Conventional Wall Mount Beacon, Red           |
| VALKYRIE-CB(WHT)   | VALKYRIE CB WHT    | VALKYRIE Conventional Wall Mount Beacon, White         |
| VALKYRIE CB-IP65   | VALKYRIE CB IP65   | VALKYRIE Conventional Wall Mount Beacon, Red, IP65     |
| VALKYRIE-CSB       | VALKYRIE CSB       | VALKYRIE Conventional Wall Mount Sounder Beacon, Red   |
| VALKYRIE-CSB(WHT)  | VALKYRIE CSB WHT   | VALKYRIE Conventional Wall Mount Sounder Beacon, White |
| VALKYRIE-CSBI-IP65 | VALKYRIE CSBI IP65 | VALKYRIE Conventional Wall Sounder Beacon, Red, IP65   |

| GFE Order Code        | Part No.                | Description   |
|-----------------------|-------------------------|---|
| VOX-C-VALKYRIE-S      | VALKYRIE VOX - C        | VALKYRIE Conventional Wall Mount Voice Sounder, Red       |
| VOX-C-VALKYRIE-S(WHT) | VALKYRIE VOX - C WHITE  | VALKYRIE Conventional Wall Mount Voice Sounder, White     |
| VOX-C-VALKYRIE-S-IP65 | VALKYRIE VOX C - IP65   | VALKYRIE Conventional Wall Mount Voice Sounder, Red, IP65 |
| VOX-C-VALKYRIE-B      | VALKYRIE VOX - CB       | VALKYRIE Conventional Wall Mount Voice Beacon, Red        |
| VOX-C-VALKYRIE-B(WHT) | VALKYRIE VOX - CB WHITE | VALKYRIE Conventional Wall Mount Voice Beacon, White      |
| VOX-C-VALKYRIE-B-IP65 | VALKYRIE VOX CB - IP65  | VALKYRIE Conventional Wall Mount Voice Beacon, Red, IP65  |

## Power Supply Units

Certified to EN 54-4, the ORION-BCM is a powerful self-contained 1.7a EN 54-4 Power Supply Unit (PSU). The ORION BCM enclosure is designed for indoor use and can be either surface or semi-recessed mounted. Cable gland entry points are provided at the top and back of the housing.

An internal monitoring system continuously checks all circuits, ensuring fault detection and notification as listed below:

- Battery charger fault (voltage level and charging behaviour)
- Mains fault (voltage level) and earth fault
- Output supply voltage level
- General system fault (by the means of an independent watchdog system)



EN54-4  
1328-CPR-0537  
CERTIFIED

### Key Features:

- ✓ One single-pole voltage free relay output for remote fault conditions monitoring
- ✓ Supervised 24V DC Supply Output with 900mA capability
- ✓ Certified to EN54-4
- ✓ Multiple visual status indicators - mains supply present, supply fault, battery fault and auxiliary supply fault

### Technical Specifications:

|  |  |
|--|--|
| MAINS SUPPLY VOLTAGE                       | 90V to 253V AC @ 50 Hz   |
| INTERNAL POWER SUPPLY                      | Min. 21V DC - Max. 30V DC (28.5V DC nominal) Max. Ripple 1 Vpp   |
| TOTAL OUTPUT CURRENT                       | 1.7A @ 230V AC   |
| SUPPLY AND BATTERY CHARGER MONITORED       | Yes  |
| MONITORED BATTERIES                        | Yes  |
| BATTERIES MAX. INTERNAL RESISTANCE         | 1 Ohm  |
| MAX BATTERY SIZE                           | 2 x 12V DC 7AH VRLA - Sealed Lead Acid Batteries<br>Min. Voltage 21V DC (Vb min) - Max. Voltage 27.2V DC |
| MAINS FUSE                                 | 4A - 250V Slow Blow - 20 mm  |
| BATTERY FUSE                               | 1.6A Resettable - Electronic Fuse  |
| MAX CURRENT DRAW FROM BATTERY (MAINS FAIL) | 1.5A Max. @ Max. Operating Temperature   |
| FAULT RELAY                                | Active in Fault condition, 2A @ 30V DC resistive / 0.25A @ 230V AC resistive; NC                         |
| DC POWER OUTPUT                            | 27.5V DC Nominal - Max. Current Draw 900mA   |
| SIZE                                       | 273 (L) x 142 (W) x 404 (H) mm   |
| WEIGHT                                     | 1.7 Kg / 7 kg (including 2 x 12AH 12V DC batteries)  |
| OPERATING TEMPERATURE                      | -10°C to +50°C   |
| MAX RELATIVE HUMIDITY                      | 95% non condensing   |
| IP RATING                                  | For indoor use. Surface Mounted: IP30, Semi- Recessed Mounted  |
| ENCLOSURE COLOUR                           | White (RAL 9001)   |

### Order Code

| GFE Order Code | Part No.      | Description  |
|----------------|---------------|--|
| ORION-BCM      | 1328-CPR-0537 | 24V DC 1.7A PSU with Battery Charger, EN54, Max. 2 x 7Ah Batteries |

# Authorised Distributor Network

# System Installation Partners



Waterside House  
Trident Park  
Trident Way  
Blackburn  
Lancashire  
BB1 3NU  
T: 01254 207 532  
E: enquiries@acornfiresecurity.com



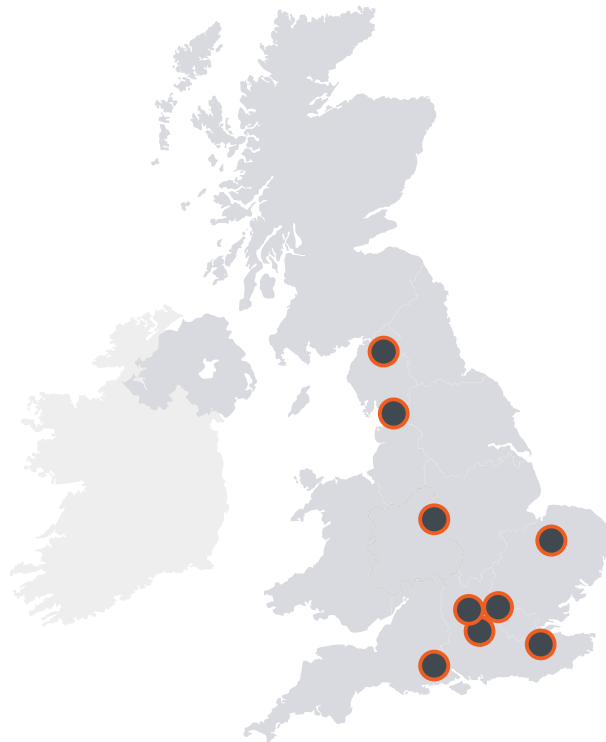
Unit 4 Fordingbridge Business Park  
Ashford Road  
Fordingbridge  
Hampshire  
SP6 1BD  
T: 01425 658 239  
E: sales@detectionsupplies.co.uk



Unit 5 Orchard Business Centre  
North Farm Road  
Tunbridge Wells  
Kent  
TN2 3XF  
T: 01892 481 100  
E: sales@firesense.co.uk



Ignis House  
Imperial Way  
Eagle Business Park  
Yaxley  
Cambridge  
PE7 3GP  
T: 020 3004 4855  
E: Peterborough@illuminoignis.co.uk



Unit 3, Horton Industrial Park  
Horton Road  
West Drayton  
Middlesex  
UB7 8JD  
T: 01895 422 066  
E: info@istsupplies.com



1 Hexagon Business Centre  
Springfield Road  
Hayes  
Middlesex  
UB4 0TH  
T: 020 8848 6006  
E: sales@stdistribution.com

|  |                                   |                 |
|--|-----------------------------------|-----------------|
| <b>AC Electrical Ltd</b><br>✉ info@acelectrical.co.im                            | 🌐 www.acelectrical.co.im          | ☎ 01624 678747  |
| <b>Astra Electrical Ltd</b><br>✉ info@astra-elec.co.uk                           |                                   | ☎ 01634 291079  |
| <b>Beacon Fire &amp; Security Ltd</b><br>✉ info@beacon-ni.co.uk                  | 🌐 www.beacon-ni.co.uk/            | ☎ 02892 676622  |
| <b>Fire &amp; Security Solutions Ltd</b><br>✉ enquiries@fassl.co.uk              | 🌐 www.fassl.co.uk                 | ☎ 01234 766121  |
| <b>Fisk Group</b><br>✉ info@fisk.group   | 🌐 www.fisk.group                  | ☎ 01245 244399  |
| <b>Highland Alarms Ltd</b><br>✉ kenny.duncan@highlandalarms.com                  | 🌐 www.highlandalarms.com          | ☎ 03442 643118  |
| <b>I.C Service &amp; Maintenance Ltd</b><br>✉ sales@icservice.uk.com             | 🌐 www.icservice.uk.com            | ☎ 01634 290300  |
| <b>MC Enginered Solutions Ltd</b><br>✉ matthew.obrien@mcengineeredolutions.co.uk |                                   | ☎ 07730 869997  |
| <b>Lightning Safety Systems Ltd</b><br>✉ sales@lfltd.co.uk                       | 🌐 www.lfltd.co.uk                 | ☎ 02392 268 999 |
| <b>Lloret Group</b><br>✉ hello@lloret.co.uk                                      | 🌐 www.lloret.co.uk                | ☎ 0208 410 4600 |
| <b>Millwood Servicing Ltd</b><br>✉ matthew.wood@millwood.co.uk                   | 🌐 www.millwood.co.uk              | ☎ 0208 669 0080 |
| <b>Property Fire Protection Ltd</b><br>✉ sales@propertyfire.co.uk                | 🌐 www.propertyfire.co.uk          | ☎ 01306 710131  |
| <b>Retail Fire Ltd</b><br>✉ sales@retailfire.co.uk                               | 🌐 www.retailfire.co.uk            | ☎ 01892 337228  |
| <b>Safetech Systems Ltd</b><br>✉ sales@safetechUK.com                            | 🌐 www.safetechUK.com              | ☎ 020 8848 6000 |
| <b>Technical Alarm Systems Ltd</b><br>✉ sales@technicalalarmsystems.co.uk        | 🌐 www.technicalalarmsystems.co.uk | ☎ 0333 358 3456 |
| <b>Tecserv UK Ltd</b><br>✉ website@tecservuk.com                                 | 🌐 www.tecservuk.com               | ☎ 01773 764626  |
| <b>Walker Fire (UK) Ltd</b><br>✉ uk@walkerfire.com                               | 🌐 www.walkerfire.com              | ☎ 01772 693777  |

Two columns of horizontal lines for taking notes.



Global Fire Equipment UK Head Office  
Unit 1, Hermitage Park  
Harts Farm Way, Havant  
Hampshire PO9 1FA  
United Kingdom

Tel: 020 3404 6790

Email: [sales@globalfire-equipment.co.uk](mailto:sales@globalfire-equipment.co.uk)

Website: [globalfire-equipment.co.uk](http://globalfire-equipment.co.uk)



[@globalfireuk](https://www.instagram.com/globalfireuk)



[Global Fire Equipment UK - Official](https://www.linkedin.com/company/global-fire-equipment-uk/)



[/Global Fire Equipment-UK](https://www.facebook.com/Global-Fire-Equipment-UK/)



**GSS GROUP**